

Installation instructions for PZ4AL-02123-00, PZ4AL-02127-00
Under Run Protective Shield Engine Bay and Transmission Case

TOYOTA Camry



LEXUS ES



Model Year:	Camry - 2006	Camry - 2011	Camry - 2014	ES 200/250/350 - 2015 -
Vehicle Code:	ACV40L-REMKNW ACV40L-REANKW ACV40L-AEANKW GSV40L-RETGKW	ACV51L-REPNKX ASV50L-RETNKX ASV50L-AETNKX GSV50L-RETGKX	ASV50L-RETNKX	GSV40L-BETGKC ASV60L-BETGKW GSV60L-BETGKW AVV60L-BEXGBW
Part Number:				Steel: PZ4AL-02123-00 Aluminium: PZ4AL-02127-00



Weight:

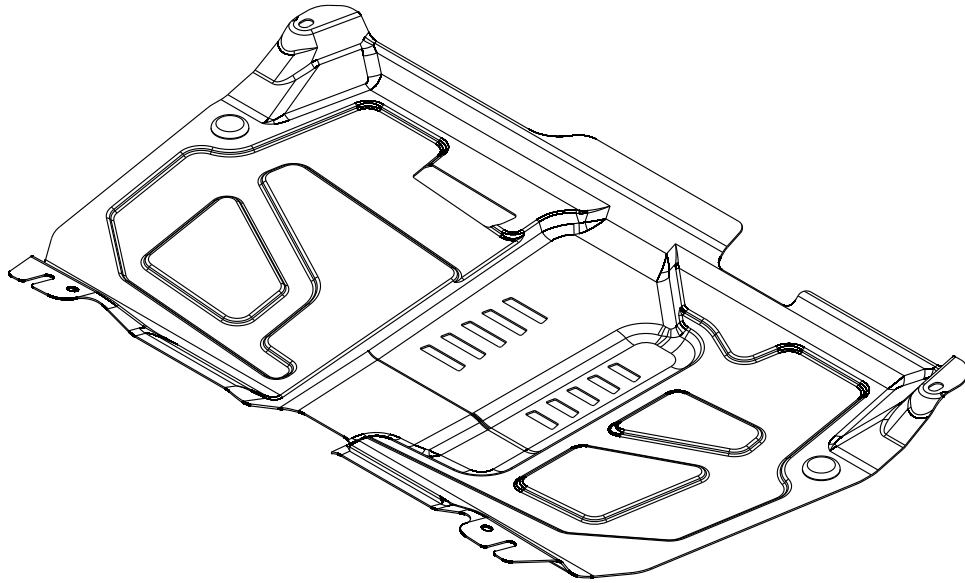
Steel: 7,6 kg
Aluminium: 4,6 kg



Installation Time:

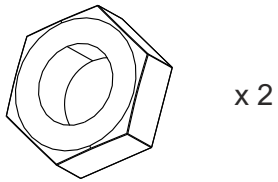
15 min

A

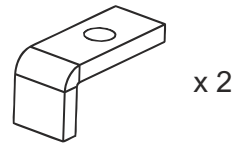


PZ4AL-02123-60

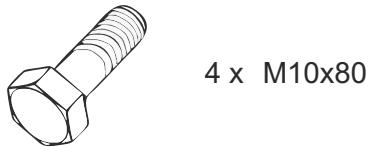
B



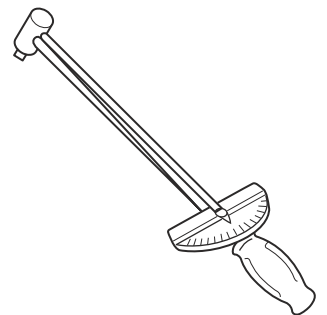
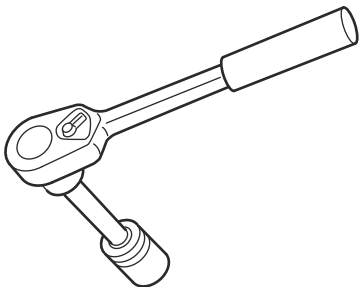
C



D



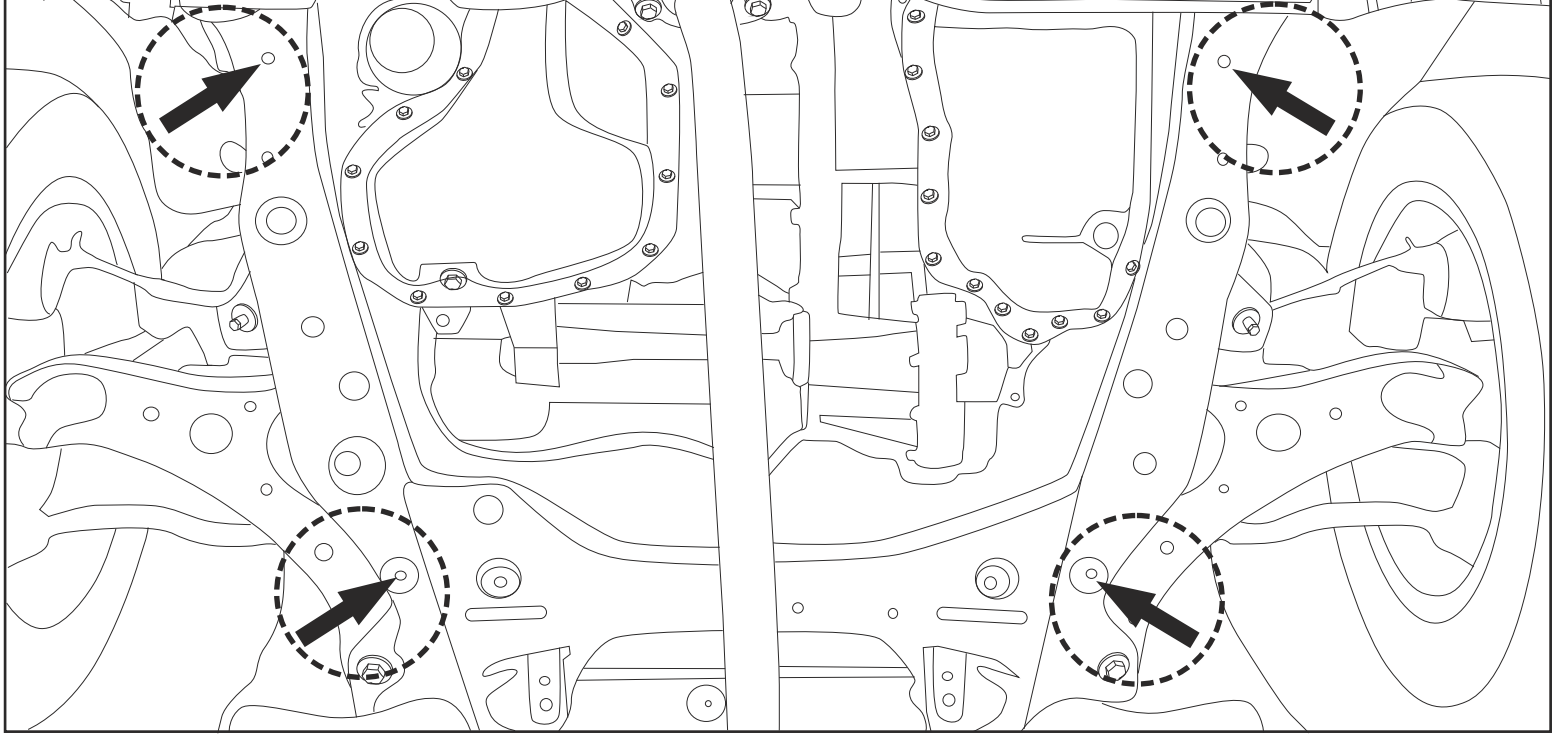
E



1

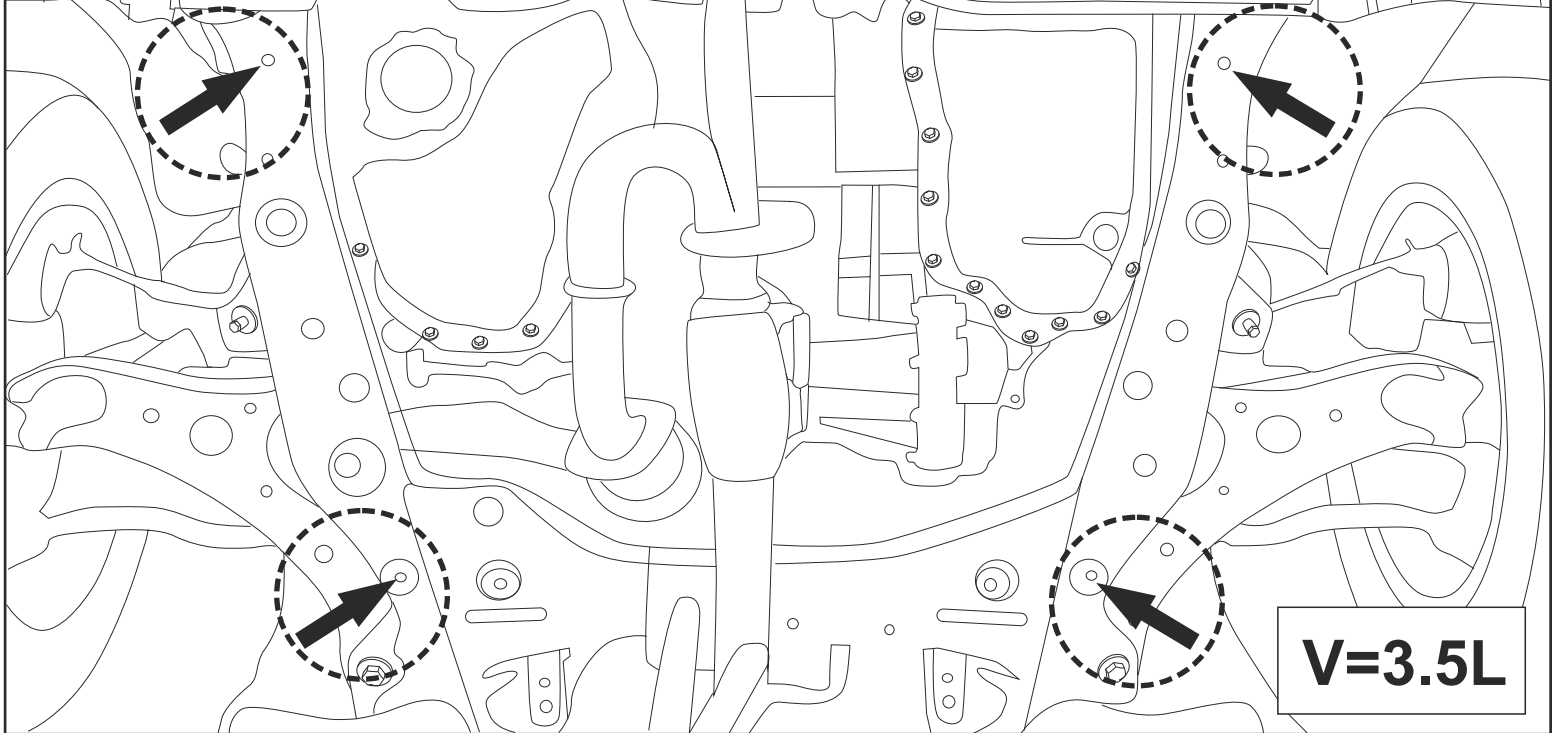
V=2.5L; 2.0L

FWD

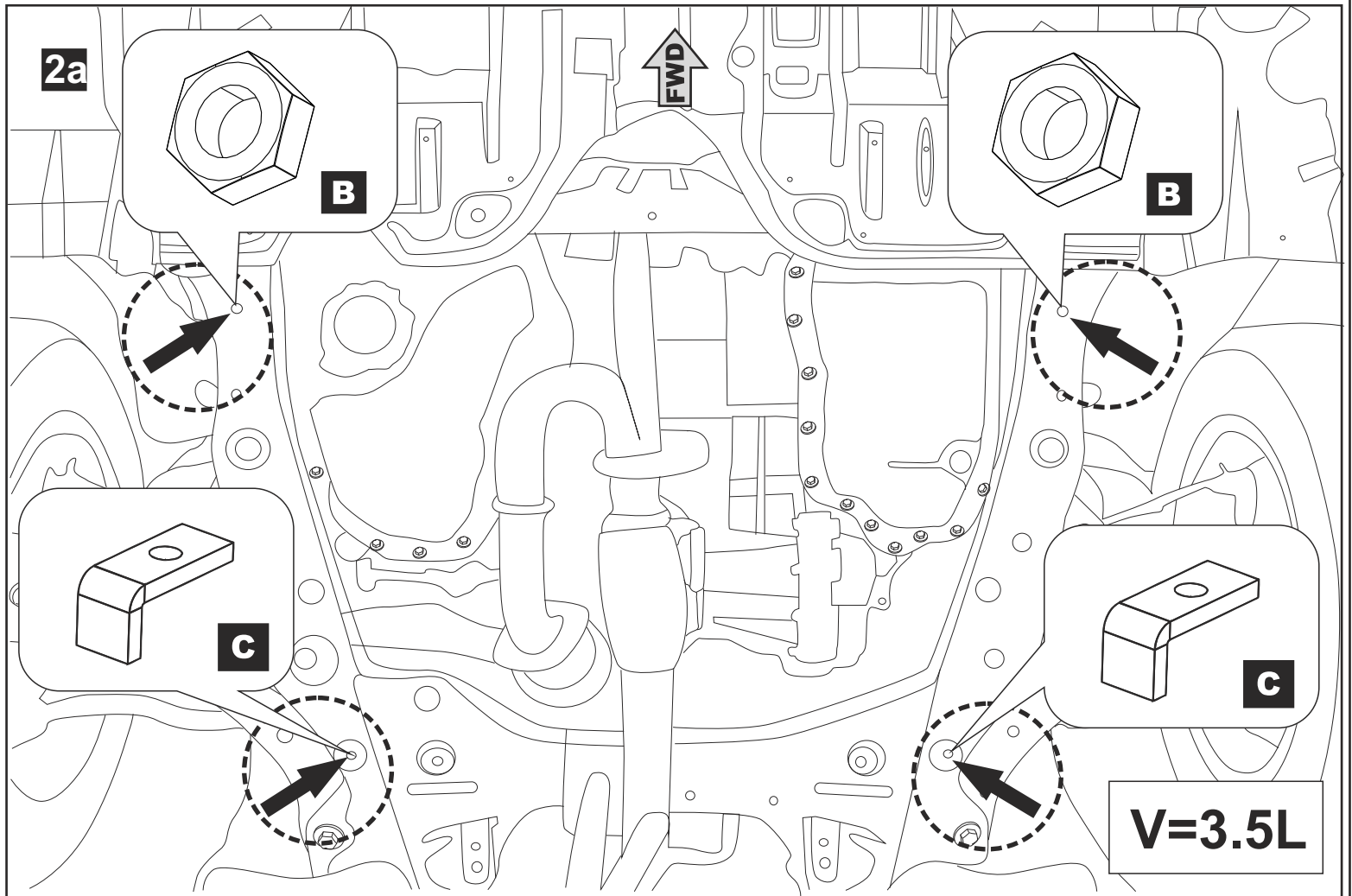
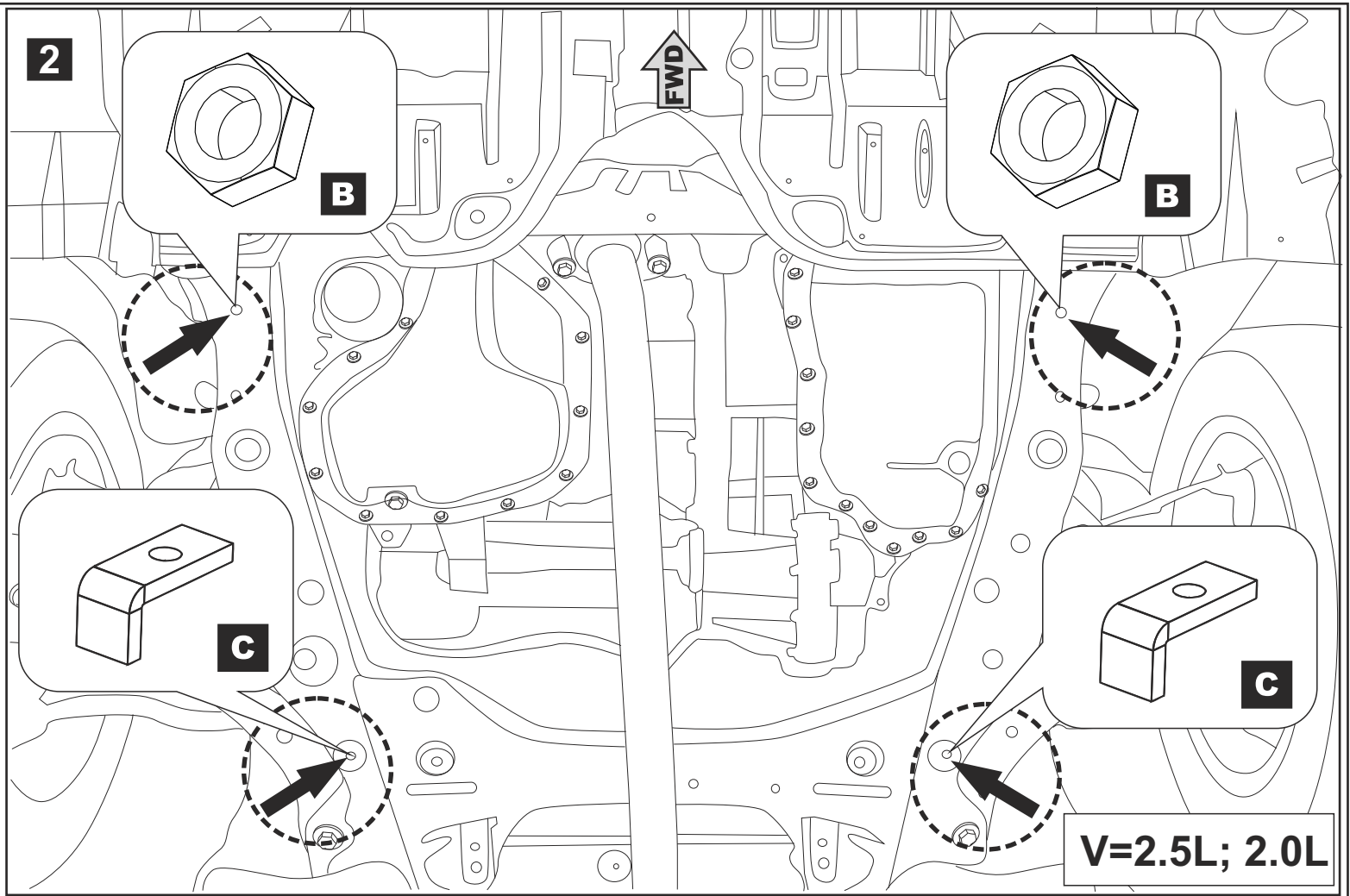


1a

FWD



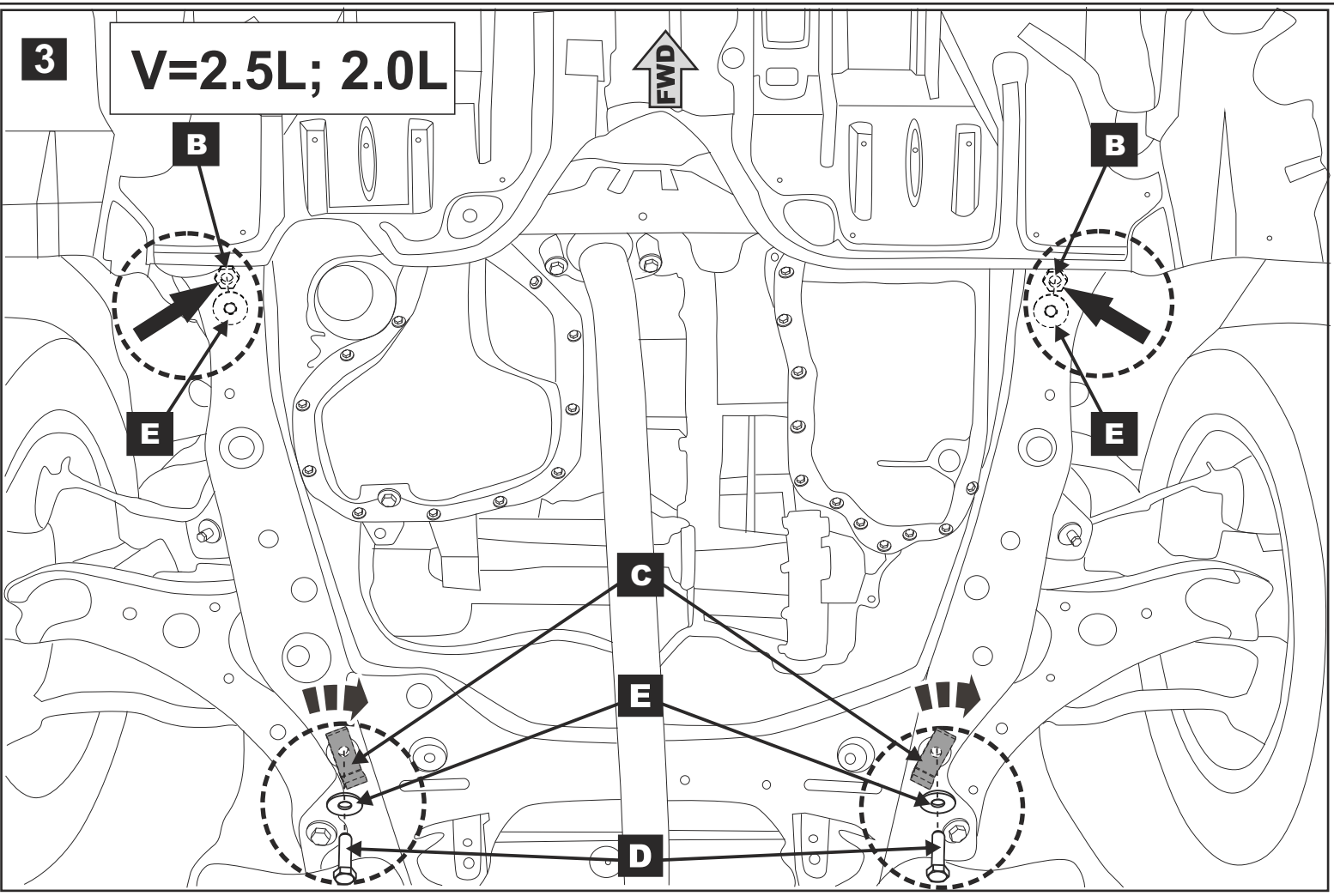
V=3.5L



3

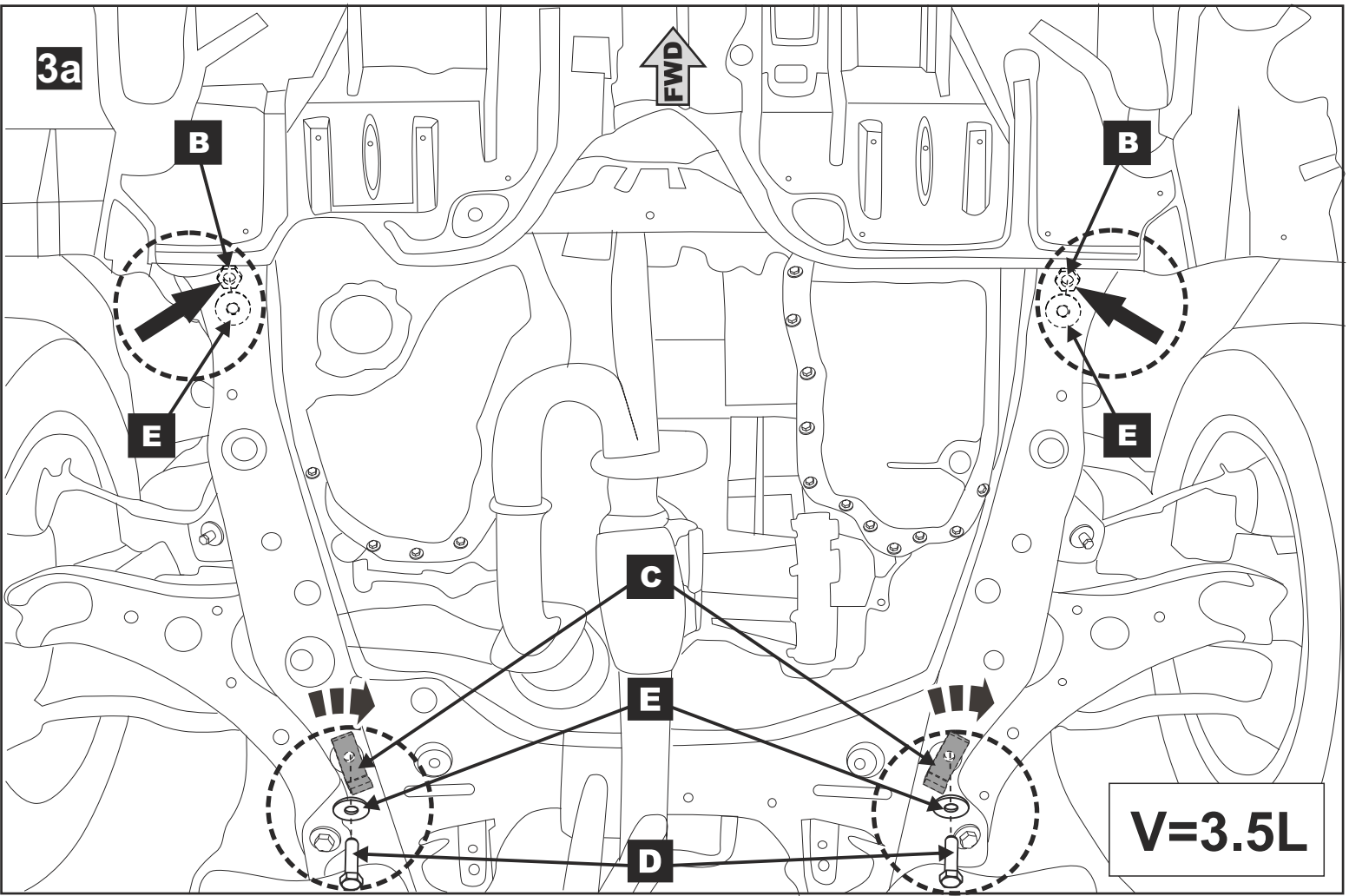
V=2.5L; 2.0L

FWD



3a

FWD

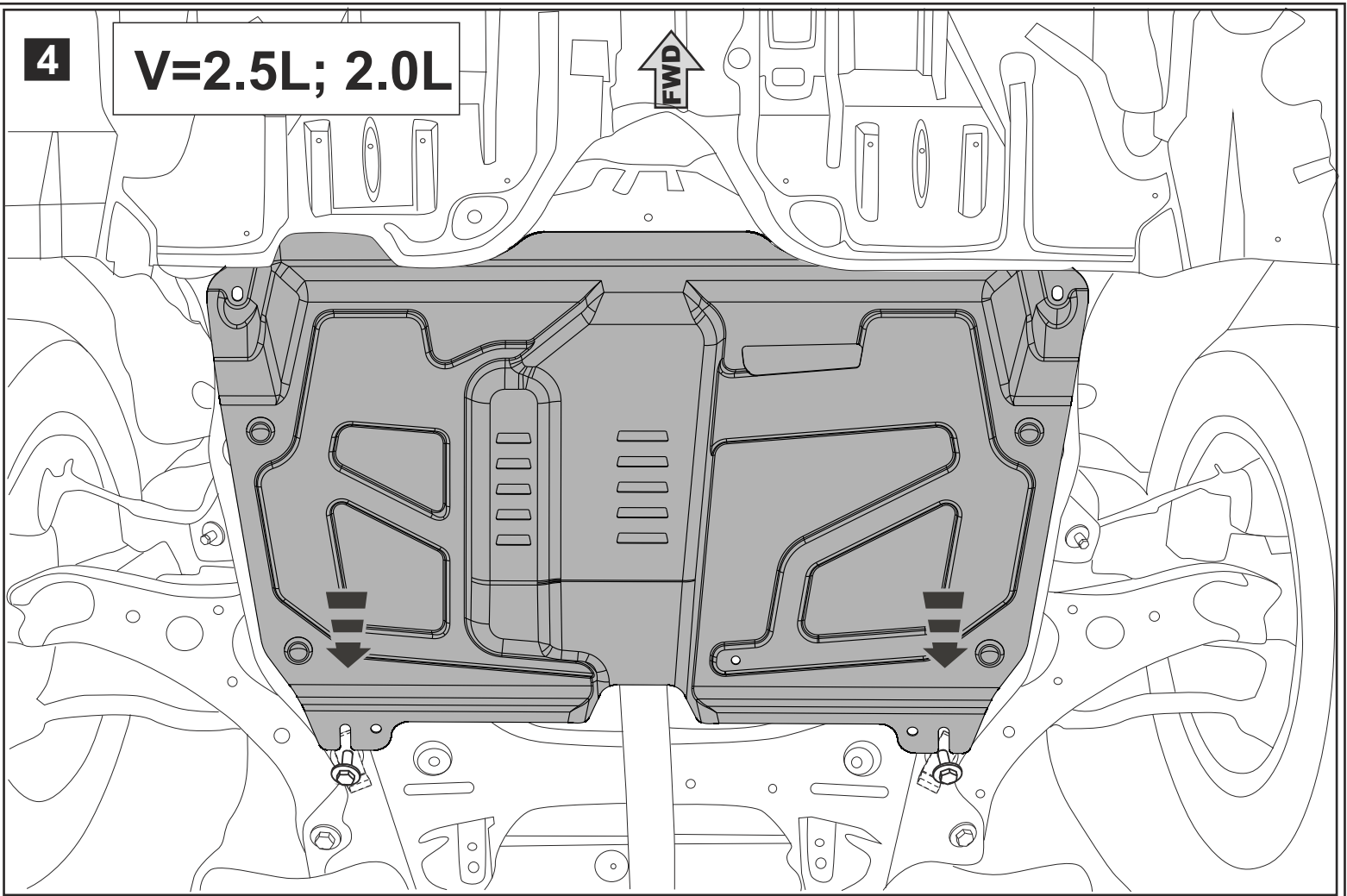


V=3.5L

4

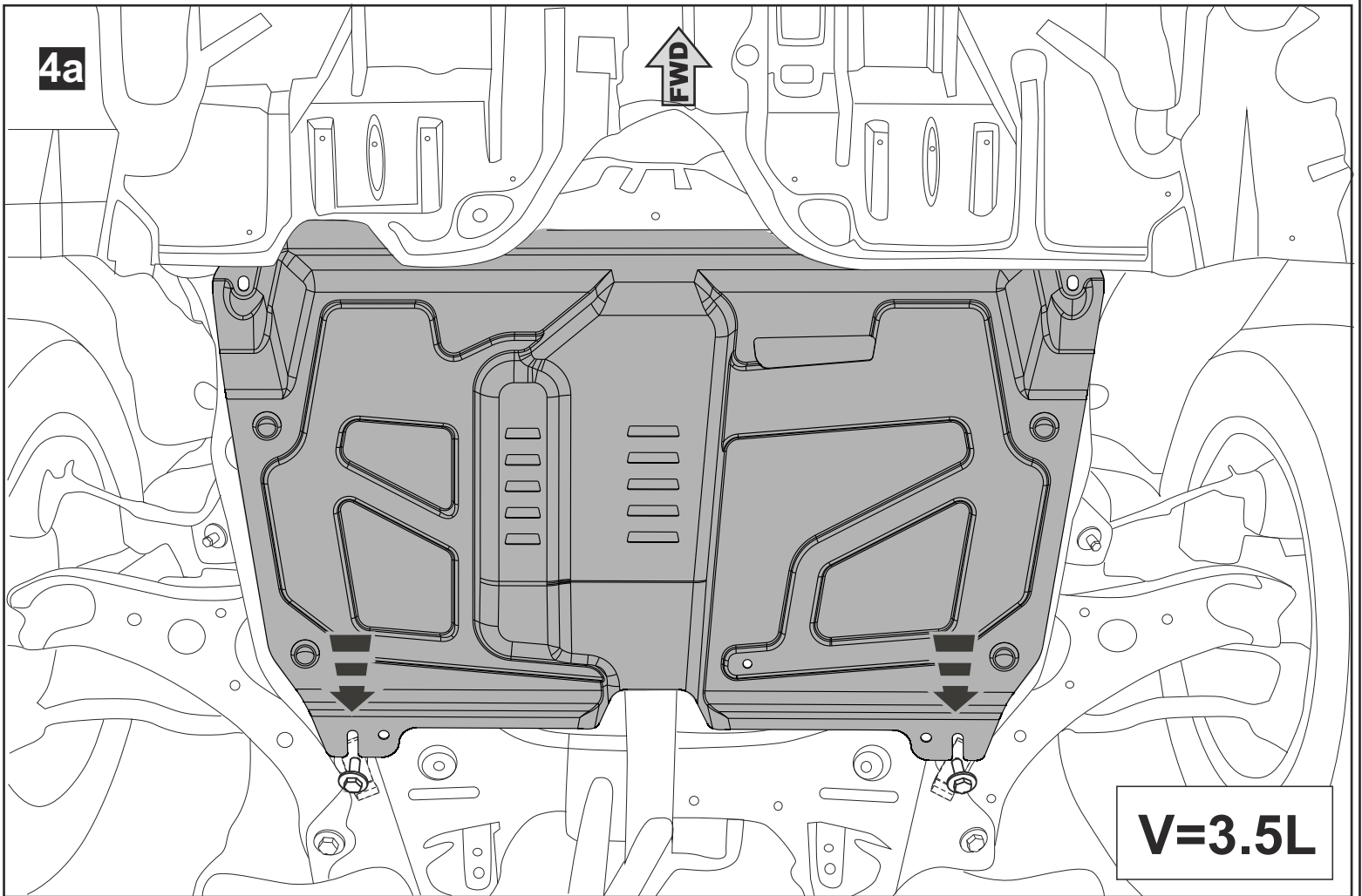
V=2.5L; 2.0L

FWD



4a

FWD



V=3.5L

5

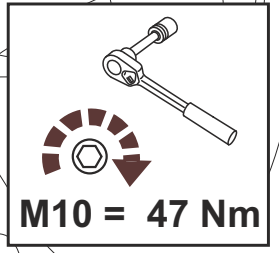
V=2.5L; 2.0L

FWD

B

E

D



5a

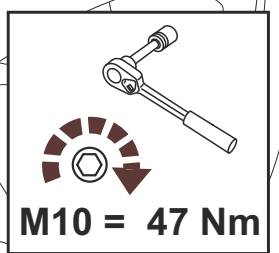
V=3.5L

FWD

B

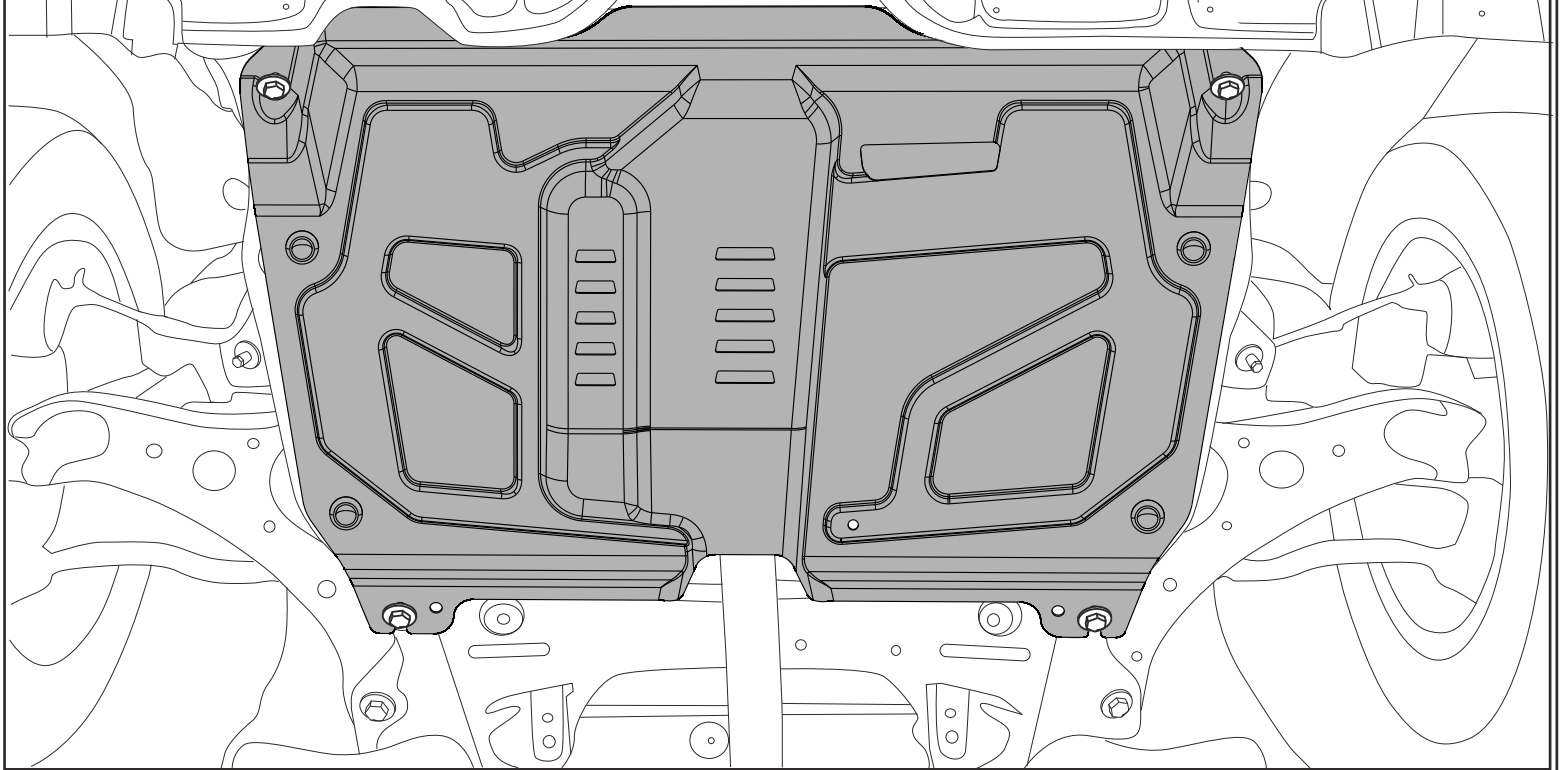
E

D



6

V=2.5L; 2.0L



6a

V=3.5L

